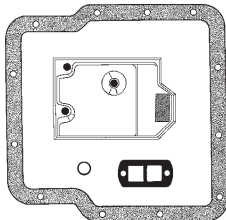
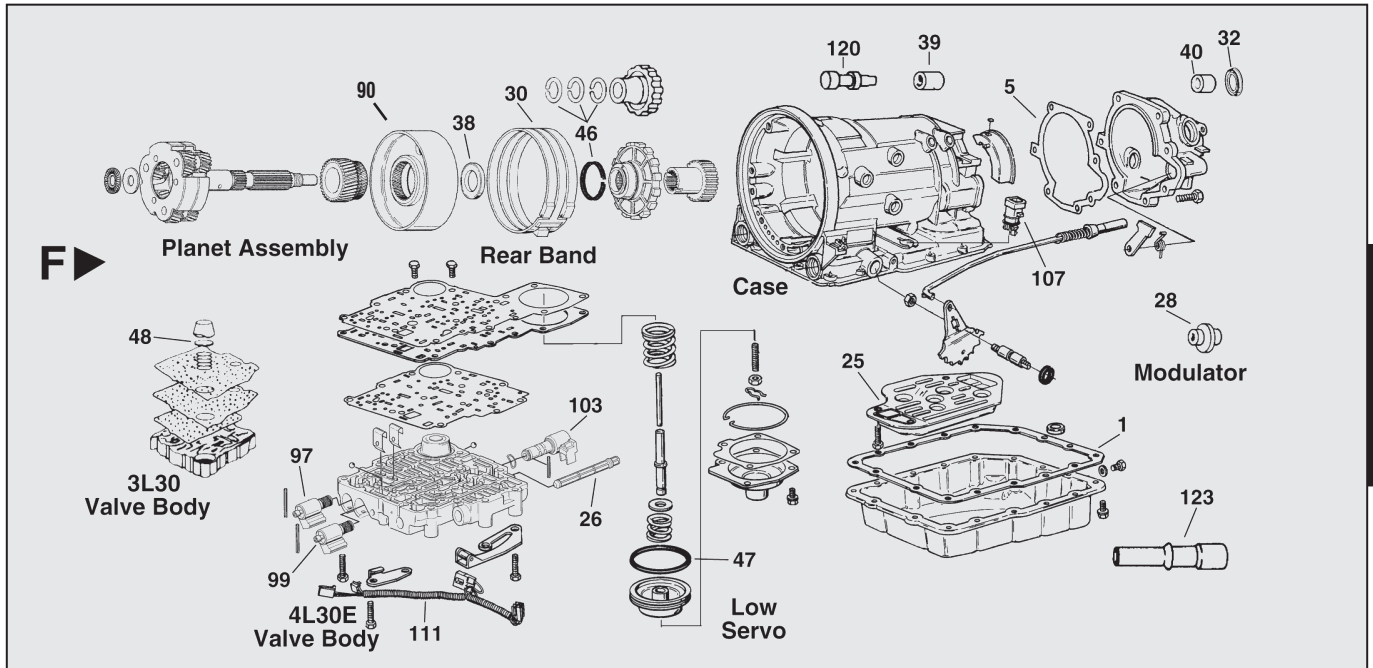
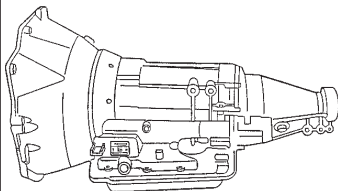


4L30E (ML4) 4 SPEED ELECTRONIC - 1990-UP

TH180(MD3) 3L30 TH180C(MD2) w/L/U



**12 Bolt Pan
3 Speed - 3L30**



3L30

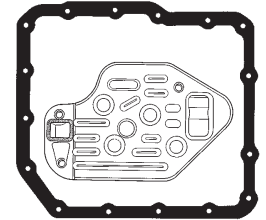
3L30 - 3 SPEED - 69-Up

- Buick Opel 77-87
- Chevette 77-87
- GEO Tracker 90-Up
- Pontiac T-1000 77-87
- Jaguar XJS, XJ12 80-92
- Holden - Australia
- Ranger - S. Africa
- Post Office Vehicles LLV - 87-Up**
- Alpine
- Fiat 77-82
- Peugeot 604 77-87
- Straussburg - Germany
- Vauzhau - Many
- Zimmer Motor Home
- Suzuki Sidekick

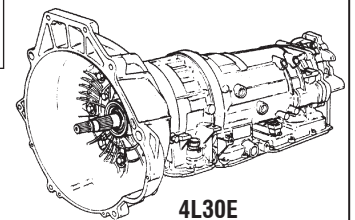
4L30E - 4 SPEED - 90-Up

- Isuzu Amigo
- Impulse
- Pickups
- Rodeo 91-98
- Trooper 90-98
- Trooper II
- BMW 325i, 318i, 323i, 328i, 525i, 528i, Z3 Roadster 91-Up
- Honda Passport 94-Up
- Acura SLX 98-98

NOTE: Some Isuzu models (88-90) use Toyota A43 Series



**16 Bolt Pan
4 Speed - 4L30E
(Exc. BMW)**



4L30E

REBUILDER KITS

DESCRIPTION	QTY.	YEAR	DELUXE KIT	MASTER O/H KIT	LESS STEELS KIT	OVERHAUL KIT	GASKET & SEAL KIT
To order Kits with all Borg Warner frictions, use a "KB" prefix instead of the traditional "K" prefix.							
Rebuilder Kit - GM/LLV/Suzuki - 3L30	1	69-Up	K4100-R	K4100	K4100-LS	K41900	K41900-1
Rebuilder Kit - Holden 3L30	1	69-Up	K4100A-R	K4100A	K4100A-LS	K41900A	K41900A-1
Rebuilder Kit - 4L30E (1)	1	90-Up	K4100E-R	K4100E	K4100E-LS	K41900E	K41900E-1
Rebuilder Kit - 4L30E (1)	1	96-Up		K4100F	K4100F-LS	K41900E	K41900E-1

(1) Due to different applications, the quantity of clutches varies as well as thickness. Please confirm before ordering.
K4100E contains 3rd friction .098 thick, K4100F contains 3rd friction .063 thick.

TH180/4L30E

TH180(MD3) 3L30 TH180C(MD2) w/L/U

4L30E (ML4) 4 SPEED ELECTRONIC - 1990-UP

ILL.	DESCRIPTION	QTY.	YEAR	PART NO.	REFERENCE NO.
VALVE BODY KITS					
N.I.	TRANSGO® Shift Kit® - Replaces Broken Springs & Pins - 180C (LLV - Post Office)	1	87-Up	K41908	180-C
N.I.	TRANSLAB® Valve Body Kit (4L30E)	1	90-Up	41D02	N.L.
N.I.	SUPERIOR Valve Body Kit (4L30E)	1	90-Up	41C03	N.L.
MISCELLANEOUS GASKETS & SEALS/PAN GASKETS					
1F	Gasket - Oil Pan: - Cork & Neoprene - 3L30	1	69-Up	13600X	90064106
	- Fibre - 3L30	1	69-Up	13600F	90064106
	- Cork & Neoprene - 4L30E Exc. BMW	1	90-Up	13600AX	96014234
	- Fibre - 4L30E Exc. BMW	1	90-Up	13600AF	96014234
	- Fibre - 4L30E - BMW	1	91-Up	13600BF	96015015
2D	Gasket - Pan - Overdrive Housing: - Cork & Neoprene - 4L30E	1	90-Up	13605X	96014235
	- Fibre - 4L30E	1	90-Up	13605F	96014235
3A/C 4A	Seal - Front Pump - Outer - 3L30 (4L30E Pump/Center Support)	1/2	69-Up	13602	96017189
	Gasket - Front Pump To Case: - 3L30	1	69-Up	13601	5258939
	- 4L30E	1	90-Up	13601B	96014973
5F	Gasket - Extension Housing: - 3L30	1	69-Up	13927	5258199
	- 4L30E	1	90-Up	13927B	96014417
9A	O-Ring - Turbine Shaft	1	82-Up	13766	8636033
N.I.	Washer - Front Pump Bolt - 3L30	12	69-Up	13268A	5258938
N.I.	O-Ring - Filler Tube - 3L30	1	69-Up	3291L	6264902
N.I.	Gasket - Filter - 3L30	1	69-Up	13617	5258245
N.I.	Sleeve - Multi-lip - Filler Tube - 3L30	1	79-Up	13925	1259475
N.I.	Gasket: Valve Body - Filler Tube - 180/C - exc. Holden	1	69-Up	K13616A	N.L.
N.I.	Gasket: Valve Body Package - 4L30E	1	90-Up	K13616E	N.L.
CLUTCH PLATES					
Order Frictions with 'B' prefix for Borg Warner brand, 'R' prefix for Raybestos brand.					
11A	Friction - Overdrive Brake (4th) - 4L30E	3	90-Up	41106	96014459
13B	Friction - Overrun - 4L30E	2	90-Up	41108	96014195
15C	Friction - Reverse Clutch - All	2/5	69-Up	41100	5258017
15C	Friction - Reverse Clutch - High Energy	2/5	69-Up	41100H	5258017
17D	Friction - Second Clutch - All	2/5	69-Up	41102	5258025
19E	Friction - Third Clutch - .098 - All	2/5	69-Up	41104	5258035
19E	Friction - Third Clutch - .062 - All	2/5	69-Up	41104A	N.L.
16C	Steel - Reverse Clutch - .070 - All	3/6	69-Up	41101	5258019
16C	Steel - Reverse Clutch - .083 - All	3/6	69-Up	41101A	5258957
18D	Steel - Second Clutch - .070 - All	3/6	69-Up	41103	5258057
18D	Steel - Second Clutch - .083 - All	3/6	69-Up	41103A	5258956
20E	Steel - Third Clutch - .070 - All	3/6	69-Up	41105	5258086
20E	Steel - Third Clutch - .083 - All	3/6	69-Up	41105A	5258955
23A	Steel - Overdrive Brake (4th) - 4L30E	4	90-Up	41107	96014187
24B	Steel - Overrun - 4L30E	2	90-Up	41109	96014194
FILTERS/FILTER KITS					
Order Filter Kits with 'FK' prefix for Cork & Neoprene, 'FFK' prefix for Fibre.					
N.I.	Filter Kit - Oil: - 3L30	1	69-Up	FK41800	14024456
	- 4L30E - All Exc. BMW, Opel	1	90-Up	FK41800E	N.L.
	- 4L30E - BMW	1	91-Up	FK41800F	N.L.

4L30E (ML4) 4 SPEED ELECTRONIC - 1990-UP

TH180(MD3) 3L30 TH180C(MD2) w/L/U

ILL.	DESCRIPTION	QTY.	YEAR	PART NO.	REFERENCE NO.
FILTERS/FILTER KITS (Cont.)					
Order Filter Kits with 'FK' prefix for Cork & Neoprene, 'FFK' prefix for Fibre.					
25F	Filter - Oil:				
	- 3L30	1	69-Up	41800	5258130
	- 4L30E - All Exc. BMW, Opel	1	90-Up	41800E	24111-218899
	- with 1/2" Pickup - 4L30E - BMW	1	91-Up	41800F	N.L.
26F	Thimble Screen - Low Solenoid - 4L30E	1	90-Up	41712	96041012
27C	Thimble Screen - TCC Solenoid - 4L30E	1	90-Up	41712A	96041009
N.I.	Filter - Oil - Thimble - Governor - 3L30	1	76-Up	26712	5258383
VACUUM MODULATORS					
28F	Modulator - Green - 10-11 Lbs. - Adjustable - 3L30 (2)	1	69-Up	41820B	5258922
28F	Modulator - Green - 10-11 Lbs. - w/o Adjusting Screw - 3L30 (2)	1	69-Up	41820X	5258922
28F	Modulator - Blue 15-16 Lbs. - 3L30	1	69-Up	41820A	96013028
	<i>(2) Also fits Post Office vehicle - LLV</i>				
BRAKE BANDS					
Order NEW Brake Bands with 'B' prefix for Borg Warner brand, 'R' prefix for Raybestos brand.					
30F	Band - Low - All	1	69-Up	41700	5463805
30F	Band - Low - Relined - All	1	69-Up	41700-RL	5463805
METAL CLAD SEALS					
31A	Front Pump - Silicone - 3L30	1	69-Up	41151	8670283
31A	Front Pump - 4L30E	1	90-Up	41151E	960151870
32F	Extension Housing:				
	- exc. Fiat - w/Flange - 3L30	1	69-Up	8850B	1243402
	- Fiat - 2.205 O.D. - 3L30	1	69-Up	41201	40000240
	- Various - 1.950 O.D. - 3L30	1	69-Up	19676	BWA00011
	- Isuzu - 4L30E	1	90-Up	41201E	96014416
	- Tracker - 3L30 2WD	1	92-Up	41201A	96015618
	- Tracker - 3L30 4WD	1	89-Up	75201M	96054039
	- BMW - 4L30E	1	91-Up	41201F	N.L.
N.I.	Selector Shaft - All	1	69-Up	38511	8623056
N.I.	Speedometer - 3L30	1	69-Up	38511X	3869910
BUSHINGS					
N.I.	Bushing Kit - 3L30	1	69-Up	K41901	N.L.
N.I.	Bushing Kit - 4L30E	1	90-Up	K41901A	N.L.
34A	Stator Support - Front - All	1	81-Up	32006	8628915
35A	Converter Housing - Front Pump:				
	- Narrow - All	1	69-Up	41005	8958661
	- Wide - All (3)	1	69-Up	8005	8958661
36A	Stator Support - 3L30 (Rear)	1	69-Up	41003	8958621
36C	Center Support - 4L30E	1	90-Up	41003A	N.L.
36C	Center Support - 4L30E - Solid Bronze	1	90-Up	41003AX	N.L.
37D	Clutch Drum 2nd Speed - All	1	69-Up	41000	5258128
38F	Reaction Sun Gear - All	1	69-Up	41009	5258075
39F	Case - All	1	69-Up	41012	5258191
39F	Case - All - Solid Bronze	1	69-Up	41012X	5258191
40F	Extension Housing:				
	- Bronze - 3L30 - Exc. Fiat, Import	1	69-Up	8008	737252
	- Babbitt - (Not In Kit) - 3L30 - Exc. Fiat, Import	1	69-Up	8008A	3717682
	- Tracker	1	87-Up	41008	N.L.
42B	Overdrive Planet - 4L30E	1	90-Up	51011	8631905
43A	Overrun Clutch Housing - 4L30E	1	90-Up	32017	8634908
44E	3rd Clutch Shaft - 4L30E	1	90-Up	32015	8634925
	<i>(3) CAUTION - In late models DO NOT install bushing too deep or it will cover the oil hole.</i>				

TH180/4L30E

**TH180(MD3) 3L30
TH180C(MD2) w/L/U**

**4L30E (ML4) 4 SPEED
ELECTRONIC - 1990-UP**

ILL.	DESCRIPTION	QTY.	YEAR	PART NO.	REFERENCE NO.	
SEALING RINGS/RING KITS						
Order Sealing Rings with 'T' suffix for Teflon.						
N.I.	Sealing Ring Kit: - exc. Holden - 3L30	1	69-Up	K41300	N.L.	
	- Holden - 3L30	1	69-Up	K41300A	N.L.	
	- 4L30E	1	90-Up	K41300E	N.L.	
45A	Front Pump Stator Support - 3L30, (4L30E Center Support)	2	69-Up	41302	5258106	
46F	Governor Hub: - exc. Holden - 3L30 (4L30E Park Gear)	1-3	69-Up	41300	5258837	
	- Holden (Wall Thickness Differs) - 3L30	3	69-Up	41300A	5258100	
47F	Low Servo Piston (Cast Iron) - All	1	69-Up	41303A	5258159	
48F	Accumulator Piston - 3L30.....	1	69-Up	34711	8623653	
50A	Turbine Shaft - 4L30E	3	90-Up	32301	96015-717	
THRUST WASHERS/NEEDLE BEARINGS						
55A/C	Washer Kit - Selectives - 3L30 (4L30E Pump, Center Support)	1	69-Up	K41208	N.L.	
55A/C	Washer Kit - Metal w/shims - 3L30 (4L30E Pump, Center Support)	1	69-Up	K41208D	N.L.	
N.I.	Bearing Kit - 3L30	1	69-Up	K41208B	N.L.	
N.I.	Bearing Kit - 4L30E	1	90-Up	K41208E	N.L.	
57B	Washer - Overdrive Ring/Overdrive Housing - 4L30E.....	1	90-Up	32420	8634146	
N.I.	Washer Kit - (Use w/SPS112A, See Index) - Planet Assembly - TH180	1	69-Up	QWK3140	N.L.	
N.I.	Washer Kit - (Use w/SPS112A, See Index) - Planet Assembly - 4L30E - 4WD	1	90-Up	QWK3141	N.L.	
N.I.	Washer Kit - (Use w/SPS112A, See Index) - Planet Assembly - 4L30E - 2WD	1	90-Up	QWK3142	N.L.	
59B	Bearing - Overdrive Planet to Ring Gear - 4L30E	1	90-Up	32425B	8634035	
HARD PARTS						
Hard Parts may only require the base number for OEM/Aftermarket New. A "N" suffix may also be required. Exceptions are listed individually.						
Use a "D" prefix for Delco, or a "-R" suffix for remanufactured.						
NOTE: A separate column is provided to indicate a primary or specific brand/type.						
ILL.	DESCRIPTION	BRAND	QTY.	YEAR	PART NO.	REF NO.
60A	Front Pump Assembly: - exc. Holden - 3L30	R	1	69-80	41424	90064214
	- Lock Up - Washer Design - 3L30 (4)	R	1	82-Up	41424A	5258119
	- 4L30E - 2 Valve Design.....	R	1	90-Up	41424E	96041018
	- 4L30E- 4 Valve Design.....	R	1	00-Up	41424F	N.L.
61A	Front Pump Wear Plate - 3L30		1	69-80	41202	N.L.
61A	Front Pump Wear Plate - 3L30.....		1	82-Up	41202A	N.L.
61A	Front Pump Plate - 4L30E		1	90-Up	41202E	96014995
62A	Front Pump Gear Kit - 626 Thick - All.....		1	69-Up	K41201	N.L.
63E	Sprag - Third Speed 26 Elements - All.....	R	1	69-Up	61725	5258137
64A	Shaft - Turbine - 4L30E	R	1	90-Up	41931	N.L.
65D	Clutch Drum - 2nd Speed - All.....		1	69-Up	41254	96014950
66B	Roller Overdrive - 4L30E.....		1	90-Up	32849	8-086340490
67B	Piston - Overrun - Bonded - 4L30E.....		1	90-Up	41528	8-960174010
68A	Overrun Clutch Drum - 4L30E	R	1	90-Up	41948	96015290
69C	Cover - 4th Accumulator - Bonded - 4L30E		1	94-Up	41530	8-960170930
70B	Overdrive Planet - 4L30E.....		1	90-Up	41950	96014376
72B	Overdrive Sun Gear - 4L30E		1	90-Up	41952	96014199
74B	Overdrive Ring Gear - 4L30E		1	90-Up	41954	96014202
76E	Clutch Drum - 3rd Speed: - Lock Up - 3L30	R	1	82-Up	41961	N.L.
76E	Clutch Drum - 3rd Speed:- 4L30E	R	1	90-Up	41961E	96041051
80C	Center Support w/spacer - 4L30E (w/ or w/o Reverse Lockout).....	R	1	90-Up	41902	96015259
90F	Drum Low w/35T Sun (Coarse).....		1	87-Up	41957	N.L.
90F	Drum Low w/42T Sun (Fine)		1	87-Up	41957B	N.L.
N.I.	Speedometer Clip - Long & Thin - 3L30.....		1	69-Up	35226	6261781
<i>(4) Pump assembly for 1981 models not offered.</i>						

4L30E (ML4) 4 SPEED ELECTRONIC - 1990-UP

TH180(MD3) 3L30 TH180C(MD2) w/L/U

ILL.	DESCRIPTION	BRAND	QTY.	YEAR	PART NO.	REF NO.
HARD PARTS (Cont.)						
N.I.	Planet Package: (5) - 3 Gear - LLV - 3L30 - Coarse Pitch	R	1	87-Up	K41907A	N.L.
	- 3 Gear - LLV - 3L30 - Fine Pitch	R	1	87-Up	K41907B	N.L.
	- 4 Gear - Isuzu 2WD - w/bolted yoke - 4L30E.....	R	1	90-Up	K41907D	N.L.
	- 4 Gear - Isuzu 4WD - 4L30E	R	1	90-Up	K41907F	N.L.
	- 4 Gear - BMW - w/bolted yoke - .550 dia. Pilot - 4L30E.....	R	1	90-Up	K41907G	N.L.
	- 4 Gear - BMW - w/bolted yoke - .640 dia. Pilot - 4L30E.....	R	1	90-Up	K41907J	N.L.
	- 4 Gear - GM - w/slip yoke	R	1	97-Up	K41907H	N.L.
VALVE BODY COMPONENTS						
N.I.	Valve w/sleeve TV Boost 4L30E (Stamp #264) Small Dia. .649".....		1	90-Up	K41971	N.L.
	Valve w/sleeve TV Boost 4L30E (Stamp # 448) Small Dia. .630".....		1	90-Up	K41971A	N.L.
	Valve w/sleeve TV Boost 4L30E (Stamp # 067) Small Dia. .570".....		1	90-Up	K41971B	N.L.
	Valve w/sleeve TV Boost 4L30E (Stamp # 066) Small Dia. .564".....		1	90-Up	K41971C	N.L.
N.I.	Valve w/Sleeve Converter Regulator 4L30E.....		1	00-Up	K41856	N.L.
<i>(5) 4L30E includes 48T input / 46T reaction sun gear, ring, and planet. Low band drum not included.</i>						
ELECTRICAL PRODUCTS						
N.I.	Solenoid: - TCC - 3L30.....		1	82-Up	5A-165	96040316
N.I.	- TCC - 3L30 - Rostra		1	82-Up	5R-165	96040316
95D	- Variable Force Motor - 4L30E (Bosch - use w/clip D34152 - non GM)		1	90-99	5D-152	96014182
95D	- Variable Force Motor - 4L30E (Holley - Black Can)		1	90-99	5D-152A	N.L.
95D	- Variable Force Motor - 4L30E (Ford Design)		1	00-Up	5A-451B	N.L.
97F	- 1-2/3-4 - 4L30E		1	90-Up	5A-154	96014593
99F	- 2-3 - 4L30E.....		1	90-Up	5A-155	96014224
103F	- Low Band Control - 4L30E.....		1	90-Up	5A-162	96042006
103F	- Low Band Control - 4L30E - Rostra.....		1	90-Up	5R-162	96042006
105D	- TCC - 4L30E (Bolt-in)		1	90-99	5A-159	96014183
105D	- TCC - 4L30E (Push-in)		1	00-Up	5A-151	96018534
N.I.	Non Grounding Governor Switch - 3L30		1	80-Up	15A-133	N.L.
107F	Case Connector: - Square - 3 Prong - 3L30		1	80-Up	25A-103	8634383
	- Square - 4 Prong - 3L30 - 4L30E - Isuzu - 6 Cyl (4 Cyl. up to 01).....		1	90-99	25A-104	96015409
	- Round - 7 Prong - 4L30E - Isuzu - 6 Cyl. (4 Cyl. 02-Up).....		1	00-Up	25A-116C	96018330
109C	Overdrive Housing Connector - 5 Prong - 4L30E - Isuzu - 6 Cyl (4 Cyl. up to 01)		1	90-99	25A-116B	96015408
	Overdrive Housing Connector - 4 Prong - 4L30E - Isuzu - 6 Cyl (4 Cyl. 02-Up)		1	00-Up	25A-104	96015409
111F	Wiring Harness: - Case - 4 Prong - 4L30E - Isuzu - 6 Cyl. (4 Cyl. up to 01).....		1	90-99	35A-116	96014855
	- Case - 7 Prong - 4L30E - Isuzu - 6 Cyl. (4 Cyl 02-Up)		1	00-Up	35A-116D	96018581
	- 4L30E - BMW		1	91-Up	35A-116B	N.L.
113D	- Overdrive Housing - 5 Prong - 4L30E - Isuzu - 6 Cyl. (4 Cyl. up to 01).....		1	90-99	35A-116A	96018480
	- Overdrive Housing - 4 Prong - 4L30E - Isuzu - 6 Cyl. (4 Cyl. 02-Up).....		1	00-Up	35A-116C	96018478
	- Overdrive Housing - 4 Prong - 4L30E - Isuzu - w/Push-in TCC.....		1	00-Up	35A-116F	96018537
MISCELLANEOUS PRODUCTS						
120F	Vent Tube (On Case) - 3L30		1	69-Up	96-141	8640496
123F	Filler Tube Repair Kit - 3L30.....		1	69-Up	96-140A	N.L.
N.I.	Converter Housing To Front Pump Alignment Tool - Early 69-81.....		1	69-Up	T-1080	N.L.
N.I.	Converter Housing To Front Pump Alignment Tool - Late 82 - Pontiac Only.....		1	82-Up	T-1080-A	N.L.
N.I.	Pump Alignment Tool - 4L30E		1	90-Up	T-1080-B	N.L.
N.I.	Third Clutch Ring Compressor - Late 79.....		1	79-Up	T-1085-A	N.L.
N.I.	Governor Bore Tool (T-9180 - NLA)		1	-	T-1195	N.L.
N.I.	Sleeve Case Aluminum.....		1	-	T-1195-SL	N.L.
N.I.	Sleeve Case - Steel		1	-	T-9180-SM	N.L.
N.I.	Technical Manual - 4L30E		1	-	41Y02	N.L.

TH180/4L30E